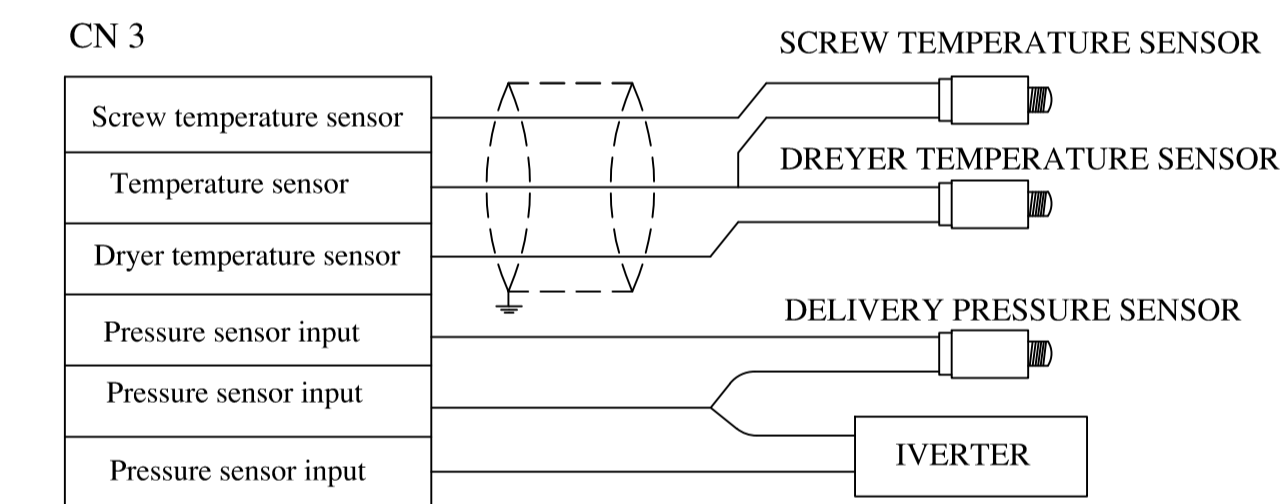
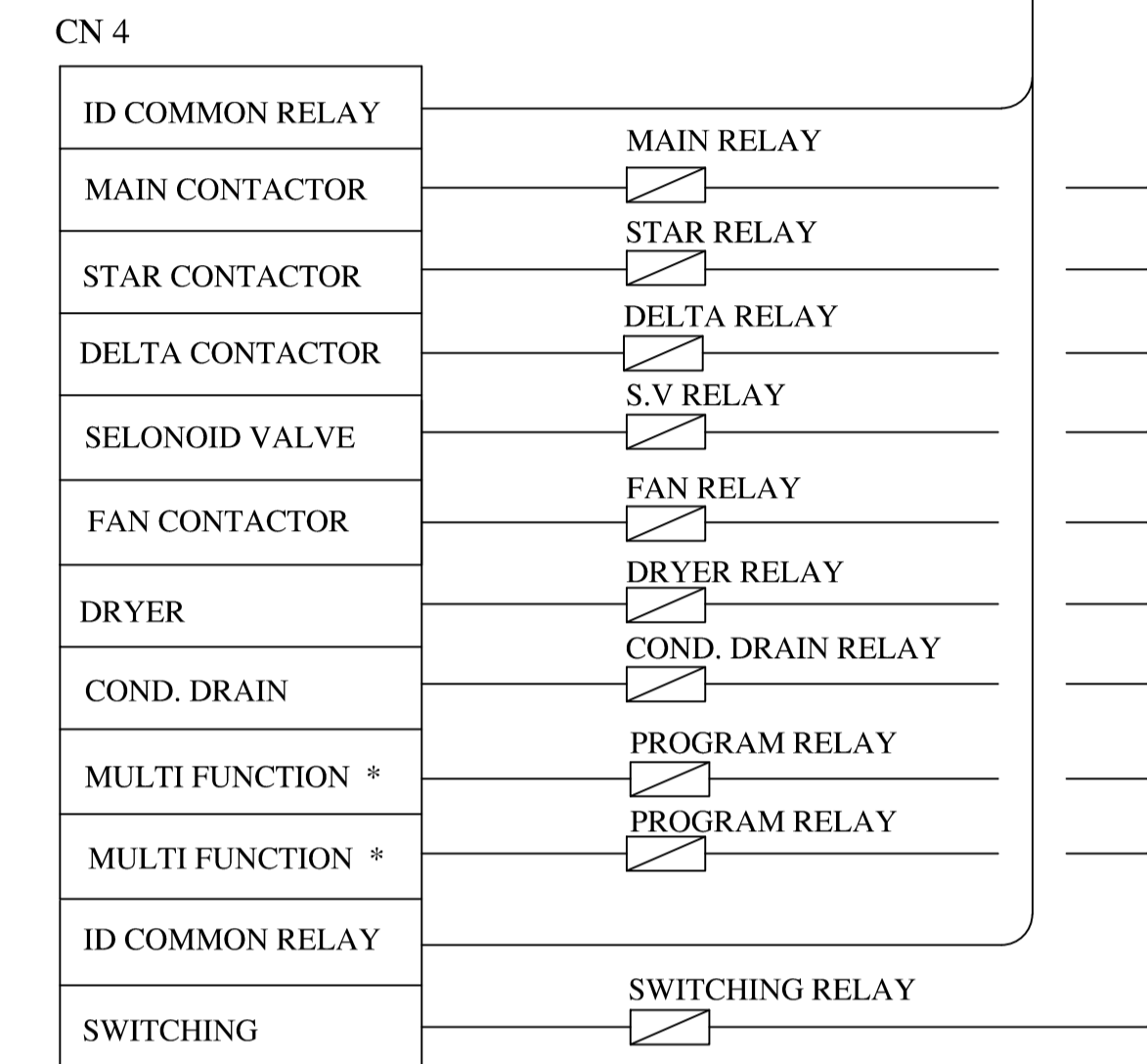
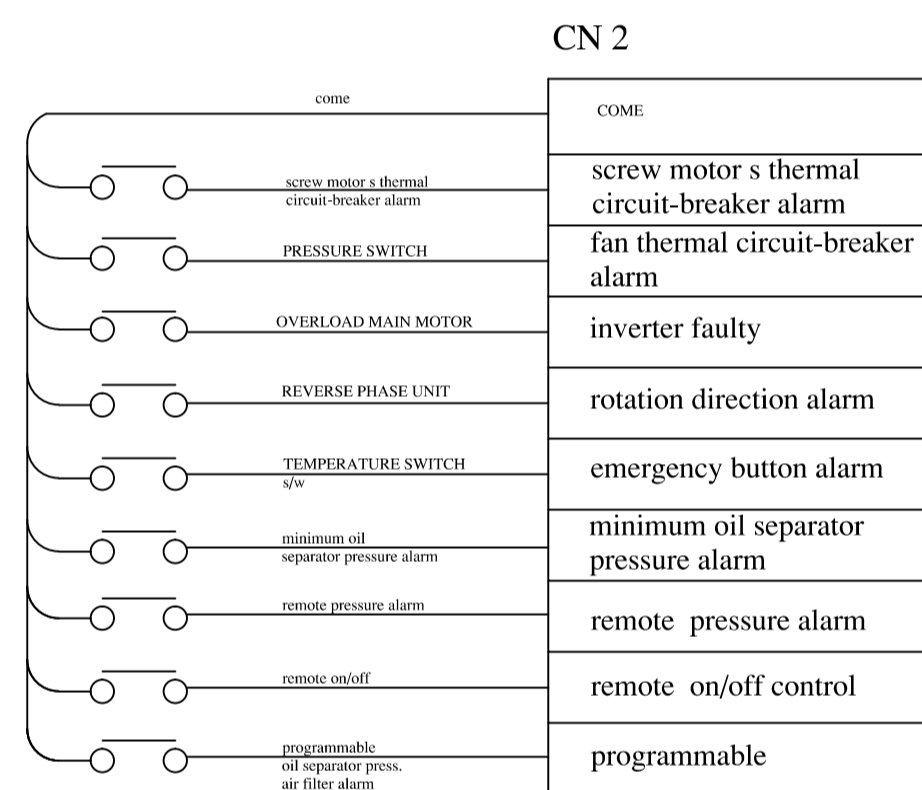
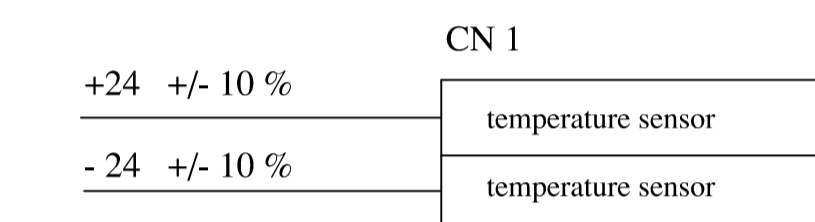
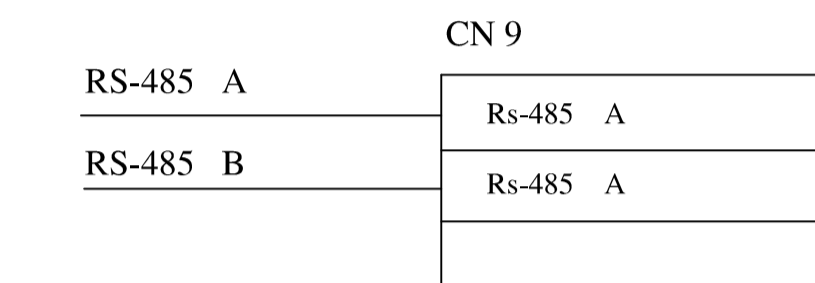
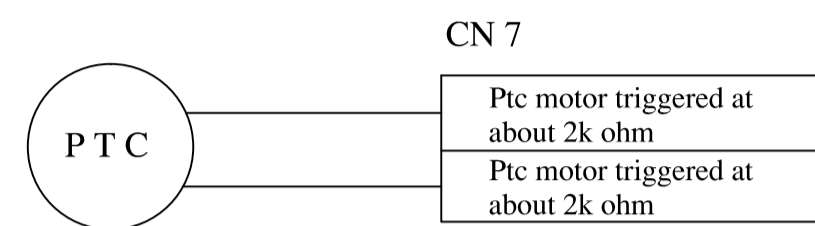


NOTES

MULTI FUNCTION *

- PRE - ALARM
- CONTROL ON
- COMPRESSOR ON
- MOTOR RUNNING
- EMERGENCY BUTTON PRESSED
- COMPRESSOR NO-LOAD/LOAD

ET IV Controller



DOCUMENTS NO.	DOCUMENT TITLE
REFERENCE DOCUMENTS	

0	94/11/05	Issue For Information	K	K	AKBARINEJAD MOHAGHEGH
REV.	DATE	STATUS	PREPARED BY	CHECKED BY	APPROVED BY/CLIENT NOTE



OWNER DWG NO.:

CLIENT:

PROJECT : HSS

Document Title: ELECTRICAL PLAN

Doc. Number: FK1200-SH.M.C-W1-A3-0	0 Rev.	1/1 Page	A3 Size	NTS Scale
------------------------------------	--------	----------	---------	-----------